

CAN-PC Interface **CPC-USB/embedded**

User manual

User manual for CAN Interface CPC-USB/embedded

Document version: 1.07
Documentation date: June 21st, 2024

No part of this document or the software described herein may be reproduced in any form without prior written agreement from EMS Dr. Thomas Wünsche.

For technical assistance please contact:

EMS Dr. Thomas Wünsche
Sonnenhang 3

D-85304 Ilmmünster

Tel. +49-8441-490260
Fax +49-8441-81860
Email: support@ems-wuensche.com

Our products are continuously improved. Due to this fact specifications may be changed at any time and without announcement.

FCC: This device complies with part 15 of the FCC Rules. Operation is subject to the following two conditions: (1) This device may not cause harmful interference, and (2) this device must accept any interference received, including interference that may cause undesired operation.

WARNING: CPC-USB/embedded hardware and software may not be used in applications where damage to life, health or private property may result from failures in or caused by these components.

Content

1	Overview	1
1.1	Attributes	1
1.2	General Description	1
1.3	Ordering Information	2
2	Electrical Characteristics	3
2.1	Absolute Limiting Values	3
2.2	Nominal Values	3
3	Operating Instructions	5
3.1	Pin Configuration of CAN Connector	5
3.2	Pin Assignment of USB connection cable	5
3.3	Dimensions	6
3.4	Installation	7
3.5	socketCAN	8
4	Appendix	9
4.1	Instruction for Disposal	9
4.2	FCC Statement	9
4.3	CE Conformity	10

THIS PAGE INTENTIONALLY LEFT BLANK

1 Overview

1.1 Attributes

- Powerful Cortex M3 microcontroller with internal CAN controller
- Extended temperature range
- Supports CAN protocols 2.0A and 2.0B
- Supply over USB
- Optional galvanic isolation between CAN and USB
- Firmware flashable over USB
- Development kits for Windows 7/8.x/10/11 and Linux available
- Linux socketCAN is supported

1.2 General Description

CPC-USB/embedded is a CAN interface for internal USB ports. Due to its compact size it is eminently suitable for applications in embedded PCs. It is installed directly at a D-Sub9 case opening or a slot panel and wired with the included cable to a pin connector of an internal USB interface of the mainboard.

The interface is equipped with a Cortex M3 microcontroller providing onChip CAN and USB controllers. By combining the powerful CPU with internal peripherals low latencies can be achieved. The interface is powered via USB, a separate supply for the CAN side is not needed. CPC-USB/embedded provides galvanic decoupling between CAN and USB and has an extended operating temperature range. It supports 11-Bit and 29-Bit CAN identifiers.

CPC-USB/embedded-gc is a variant without galvanic decoupling for cost sensitive series applications.

For the operating systems Windows and Linux software development kits with identical API are available free of charge. Linux socketCAN is supported as well.

1.3 Ordering Information

10-08-241-xx	CPC-USB/embedded CAN-PC interface for internal USB ports with Cortex M3 microcontroller and galvanic separation of the CAN transceiver
10-08-440-xx	CPC-USB/embedded-gc CAN-PC interface for internal USB ports with Cortex M3 microcontroller

Note: xx denotes language of delivery:

10 german
20 english

2 Electrical Characteristics

2.1 Absolute Limiting Values

Any (also temporary) stress in excess of the limiting values may cause permanent damage on CPC-USB/embedded and connected devices. Exposure to limiting conditions for extended periods may affect the reliability and shorten the life cycle of the device.

Parameter	Min.	Max.	Unit
Storage temperature	-40	+80	°C
Operating temperature	-30	+70	°C
Supply voltage	0	+6	V
Voltage on bus connections	-30	+30	V

2.2 Nominal Values

Parameter	Min.	Typ.	Max.	Unit
Current consumption	-	100	500	mA
Supply voltage	4,0	5,0	5,5	V

All values, unless otherwise specified, refer to a supply voltage of 5V and an environmental temperature of 20°C.

THIS PAGE INTENTIONALLY LEFT BLANK

3 Operating Instructions

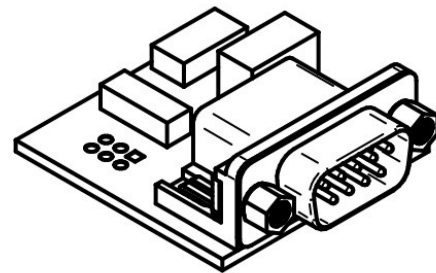
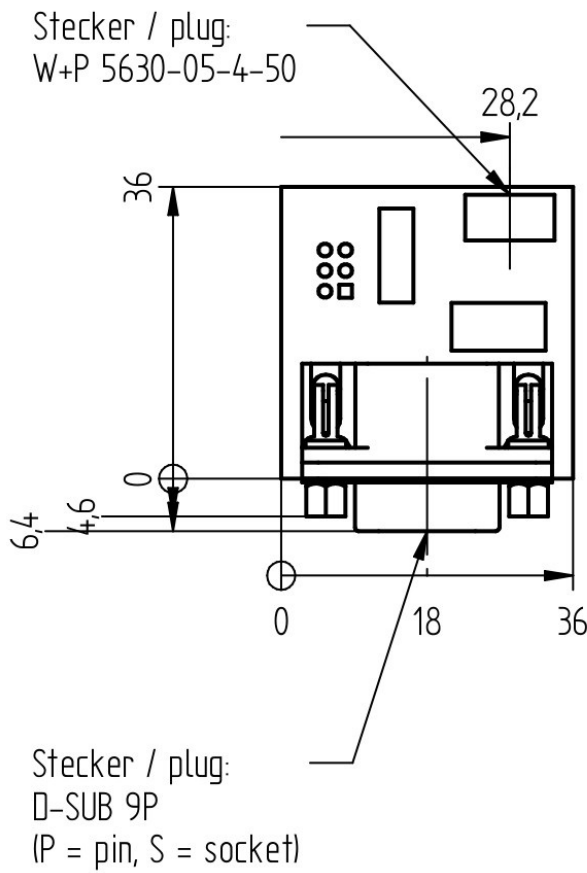
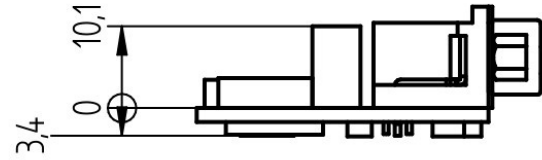
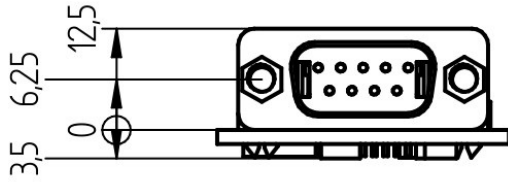
3.1 Pin configuration of CAN connector D-Sub 9 male

Pin 1	-	Not connected
Pin 2	CAN_L	CAN bus line, dominant low
Pin 3	GND	CAN Ground
Pin 4	-	Not connected
Pin 5	-	Not connected
Pin 6	-	Not connected
Pin 7	CAN_H	CAN bus line, dominant high
Pin 8	-	Not connected
Pin 9	-	Not connected

3.2 Pin Assignment of USB connection cable

Pin 1	red	+5V
Pin 2	white	USB-
Pin 3	green	USB+
Pin 4	black	Host GND
Pin 5	black	SHIELD

3.3 Dimensions



DIMENSIONS ARE IN MILLIMETERS
GENERAL TOLERANCES ISO 2768-1 c
DRAWINGS ARE NOT COMPLETELY TRUE TO THE ORIGINAL

3.4 Installation

CPC-USB/embedded may be connected to a free USB port of a computer. To avoid damage please pay attention to the following hints:

WARNING: Avoid damage by achieving equal potential between the corresponding devices before plugging any connections to CPC-USB/embedded.

To the CAN connector of CPC-USB/embedded only CAN networks with a connector and electrical character complying with this specification may be attached.

Besides the instructions mentioned in this manual carefully observe the instructions in your computers users manual.

If you are not sure about the installation please contact EMS Dr. Thomas Wünsche.

CPC-USB/embedded needs a driver to operate on Windows operating systems. This driver is part of the 'CPC-Series Runtime Kit for MS-Windows Environment', which is part of the delivery.

3.5 Socket CAN

With a recent Linux kernel the socketCAN driver for the CPC-USB/ARM7 (ems_usb.ko) is already included. It supports the following interface versions:

```
CPC-USB/ARM7      v1.0 and v2.0, also low speed variants
CPC-USB/ARM7-GTI v1.0 and v2.0, also low speed variants
CPC-USB/embedded
```

After the device is attached to the USB connector the driver will be loaded automatically. This can be verified by entering the "dmesg" command on a console. It should output the following lines:

```
CPC-USB: Serial 0005001
CPC-USB: Product CPC-USB/ARM7
CPC-USB: cpcusb_probe - 10 reading URB's allocated
CPC-USB: cpcusb_probe - 10 writing URB's allocated
CPC-USB: Allocated memory for 1500 messages (114 kbytes)
CPC-USB: Device now attached to USB-0
CAN device driver interface
usbcore: registered new interface driver ems_usb
```

Before the interface can be used in an application it must be configured using the "ip" command:

First the baud rate is set to i.e. 125kBaud:

```
ip link set can0 type can bitrate 125000
```

Then the interface is set up:

```
ip link set up can0
```

Now received CAN messages can be shown with the following command:

```
candump can0
```

Useful links:

An introduction is given here:

```
en.wikipedia.org/wiki/SocketCAN
```

The can-utils can be found here:

```
www.github.com/linux-can/can-utils/
```

Also a good introduction is in the kernel documentation:

```
/usr/src/linux/Documentation/networking/can.txt
```

4 Appendix

4.1 Instruction for Disposal

Electronic Equipment Act (WEEE)

EMS is selling its products exclusively to commercial customers. This is the reason why all devices are designed for commercial use and have to be disposed appropriately. In accordance to § 10 para. 2 clause 3 Electronic Equipment Act (WEEE) the disposal of EMS products is regulated the following way.

The equipment must not be disposed at the public collection points. In accordance with the applicable law the disposal has to be done by the customer for own account. The same applies to products, which have been sold to third parties, if those parties do not take care of a disposal in accordance to the applicable law. As an alternative the products can be returned to EMS free of charge.

4.2 FCC Statement

NOTE: This equipment has been tested and found to comply with the limits for a Class A digital device, pursuant to Part 15 of the FCC Rules. These limits are designed to provide reasonable protection against harmful interference when the equipment is operated in a commercial environment. This equipment generates, uses, and can radiate radio frequency energy and, if not installed and used in accordance with the instruction manual, may cause harmful interference to radio communications. Operation of this equipment in a residential area is likely to cause harmful interference in which case the user will be required to correct the interference at his own expense.

4.3 CE Conformity

Declaration of Conformity



The manufacturer

EMS Dr. Thomas Wünsche e.K.
Sonnenhang 3
85304 IImmünster

hereby declares, that the following products:

Name	Article Number
CPC-USB/embedded	10-08-241-xx
CPC-USB/embedded-gc	10-08-440-xx

meet the requirements of the following standards:

Electromagnetic Immunity

DIN EN 55032:2022-08 VDE 0878-32:2022-08 – Electromagnetic compatibility of multimedia equipment – Immunity requirements (CISPR 32:2015 + COR1:2016 + A1:2019); German version EN 55032:2015 + AC:2016 + A11:2020 + A1:2020

Electromagnetic Emission

DIN EN 55035/A11:2022-06 VDE 0878-35/A11:2022-06 – Electromagnetic compatibility of multimedia equipment – Emission Requirements; German version EN 55035:2017/A11:2020

and therefore conform with the EU requirements on:

Electromagnetic compatibility (2014/30/EU)

In accordance with the above mentioned EU directives, the EC declarations of conformity and the associated documentation are held at the disposal of the competent authorities.

RoHS 3

The RoHS 3 (EU 2015/863) commits manufacturers of „Electrical and Electronic Equipment“ (EEE) to secure compliance with the RoHS Directive before placing a CE mark.

Based on technical documentation and to the best of our knowledge, we hereby confirm that the above mentioned products do not contain any of the restricted substances according to Article 4 of the RoHS Directive in excess of the maximum concentration values tolerated by weight in any of their homogeneous materials.

IImmünster, 11.06.2024

Dr. Thomas Wünsche

